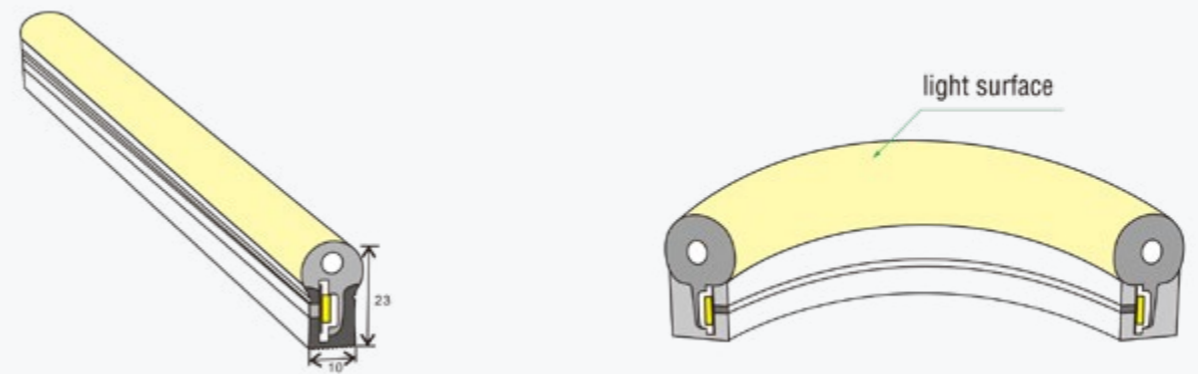


TECHNICAL SPECIFICATIONS

Voltage **12V [RGB] / 5V [RGBW]**
 LEDs Per Meter **60**
 LED Type **SMD5050**
 Power Consumption **14.4W/M [RGB] / 19.2W/M [RGBW]**
 Channels **3Ch [RGB] / 4Ch [RGBW]** per pixel
 IP Rating **IP67**
 Cutting Points **16.6mm**
 Controllable Pixels **1 LED = 1 Pixel**
 Operating Temp Range **-20° to 50°C**

DIMENSIONS



BENDING DIAMETER



DOMED NEON FLEX

PIXEL LED FLEXIBLE NEON

A completely flexible, completely homogeneous line of dynamic colour change light. Perfect for highlighting architectural features where a robust weatherproof solution is essential.

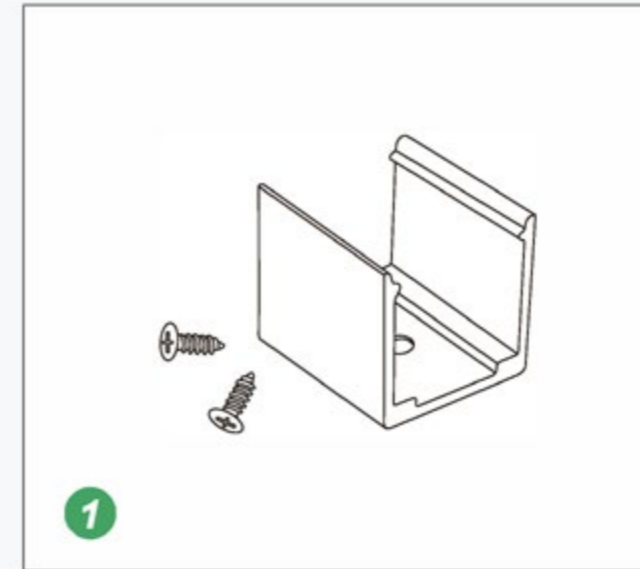
Designed for ease of installation and for peace of mind with high reliability as a must.

Product Code: PXL-NF-D- RGB / RGBW

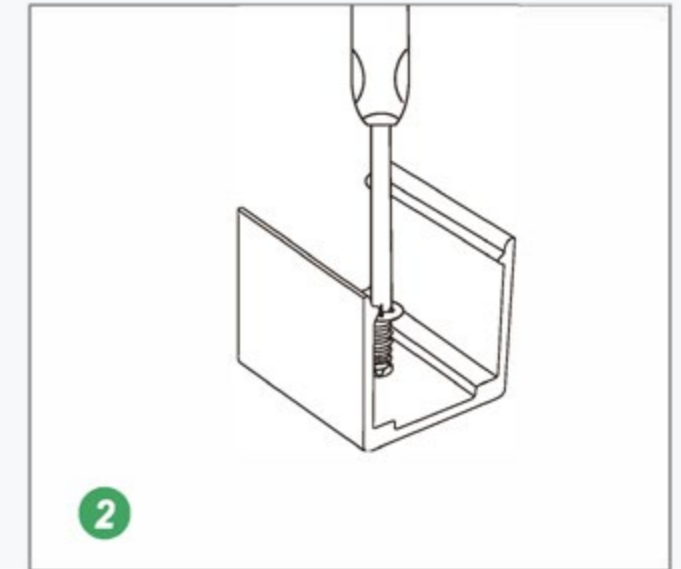
INCORRECT BENDING



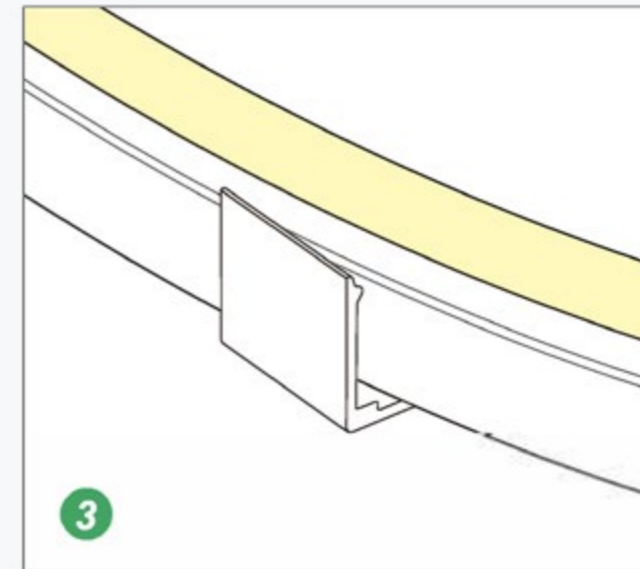
INSTALLATION



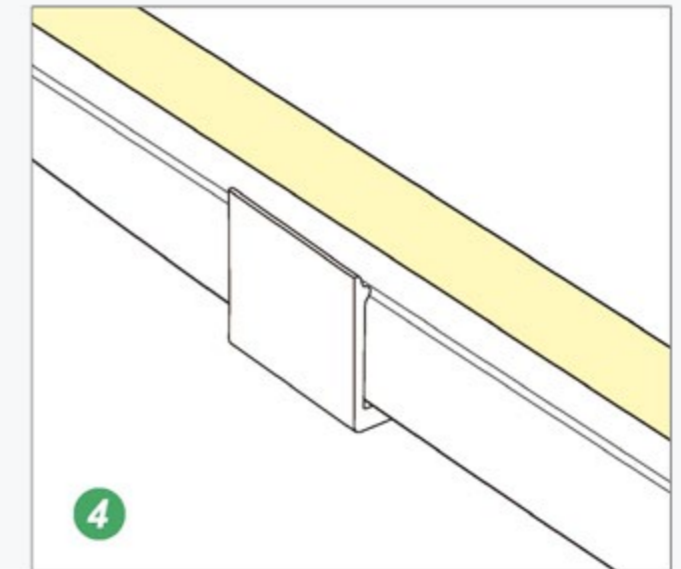
Prepare the screws and fixed clips



Adjust the fixed clips to the appropriate place, use a screwdriver to fix the screw.



Put the light emitting surface upwards, then insert the LED strip into the fixed clips



Fix led strip completely into the fixed clip